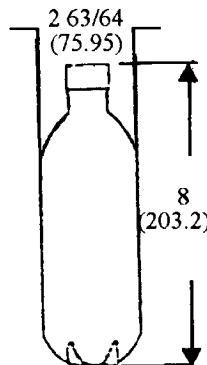


**20 oz. PET STRAIGHT WALL
BOTTLE SHIMMING
S004.2**

Models Affected: 501 Series 90 Venders Only.

Reason: To supply a set-up to vend the 20 oz. Pet Straight Wall Bottle double depth in wide columns of 501 Series 90 venders.

Serial Break: Venders serialized 0001-3165AO and up.



20 oz. PET Straight Wall
Bottle

Note: This set-up is for the 20 oz. Straight Wall Bottle. See instructions S003.x for 20 oz. PET Contour Bottle set-up.

Wide Column Set-Up						
LOADING DEPTH	CAN RETAINER	SHIMS PER COLUMN	CAM SETTING	CAM FOR MOTOR	REAR SPACER ASSEMBLY	CAN/BOTTLE CHUTE
2	Bottle Neck Support 324,010,150.13 & Retainer 324,010,160.03	0	NA	New Cam 801,806,990.11	498,071,300.03 Hole Location 23	324,000,200.03
Narrow Column Set-Up						
1	0	0	#4	-	Rear spacer 498,071,400.03 Set Hole #8	Rotor, Wide 801,201,220.01

NA = Not Applicable

20 oz. BOTTLE CAPACITY IN 501T	
WIDE COLUMN	50
NARROW COLUMN	14
TOTAL	220

Order per wide column:

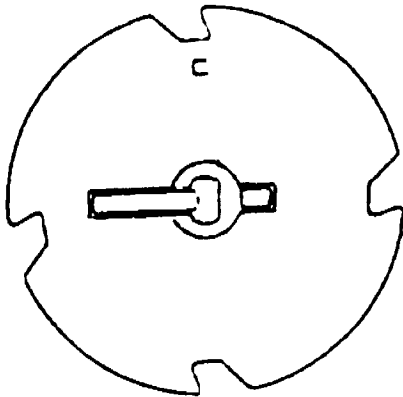
- 1 - 801,806,990.11
- 1 - 324,010,150.13
- 1 - 324,010,160.03
- 2 - 900,301,550.01
- 1 - 498,071,300.03

- White Vending Cam, 20 oz. (1 per column)
- Bottle Neck Support (1 per column)
- Bottle Neck Support Retainer (1 per column)
- #8-32x1/2 Screw (2 per Bottle Neck Support)
- Rear Spacer (1 per column)

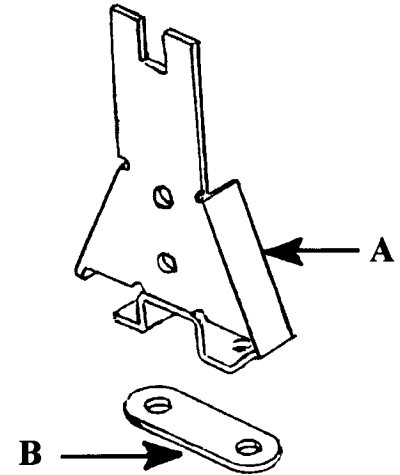
Order per narrow column:

- 1 - 801,201,220.01
- *1 - 324,000,200.03

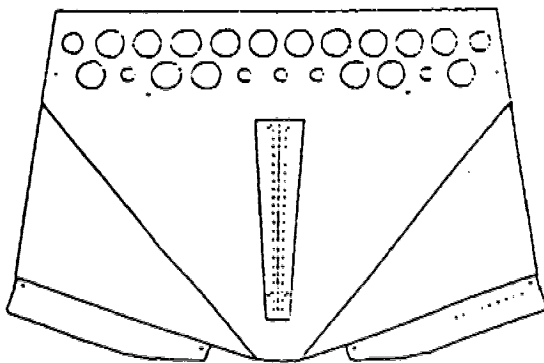
- Rotor, Wide (1 per column)
- Assy., 20 oz. Bottle Chute (1 per vender)



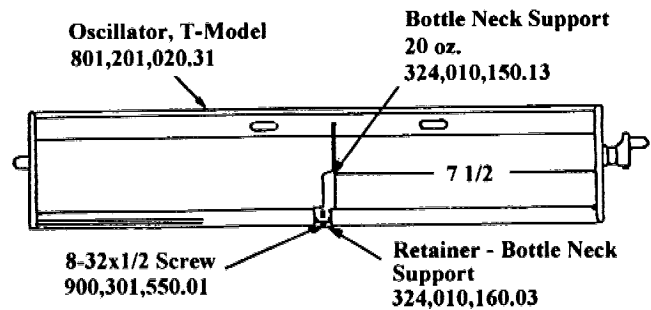
White Vending Cam
801,806,990.01
Figure 1



A) Bottle Neck Support
324,010,150.13
B) Bottle Neck Support Retainer
324,010,160.03
Figure 2



20 oz. Bottle Chute Assy.
324,000,200.03
Figure 3



Oscillator with Bottle Neck Support
Figure 4

VENDER SET-UP AND SHIMMING FOR WIDE COLUMNS:

1. Unplug the vender.
2. Set rear spacer in hole location 23.
3. Remove the can retainers from the oscillator.
4. Install the bottle neck support and retainer. (See figure 4.)

Note: The distance between the inside front edge of the oscillator and the front of the bottle neck support is 7½".

5. Secure the bottle neck support and retainer with two #8-32x½ screws.
6. Remove existing cams from vend motors.
7. Install new 20 oz. white vending cam (part #801,806,990.11). See figure 1, page 2.

Important: The adjustable cam (gold in color) is not used. Do not place it on the motor.

8. Remove existing can/bottle delivery chute.
9. Install new can/bottle chute (part# 324,000,200.03). See figure 3, page 2.
10. Set the discharge member and closure strip for bottles.
11. Load the bottles cap to cap.

Important: Always load the front bottle first, then the rear bottle so the caps overlap with the rear bottle's cap on top as shown in figure 5.

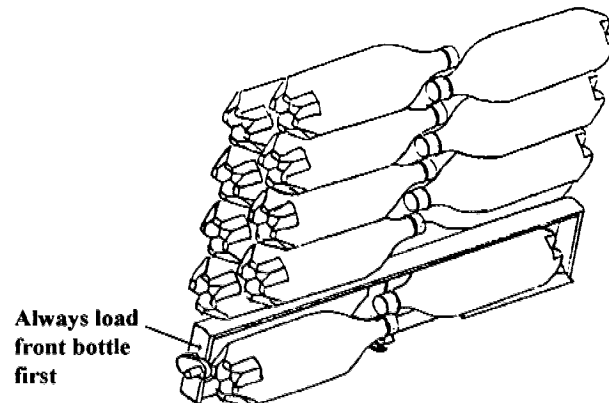


Figure 5

VENDER SET-UP AND SHIMMING FOR NARROW COLUMNS:

1. Unplug the vender.
2. Remove any existing shims.
3. Install the wide rotor. (Part #801,201,220.01)
4. Adjust the cam to setting #4.
5. Adjust the rear spacer to hole #8.
6. Load the bottles caps to the back.

Narrow columns will only vend this package single depth.